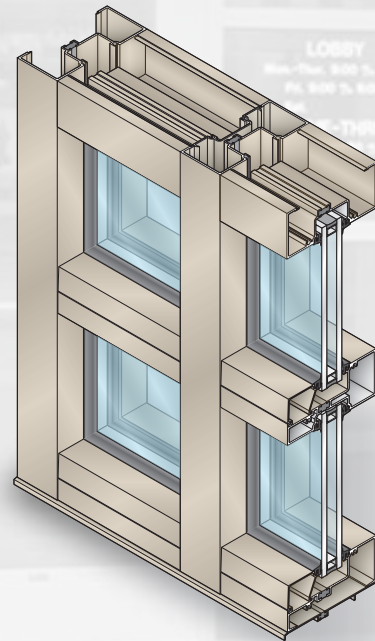


STOREFRONT SYSTEMS

SERIES 451 & IT451 CENTER GLAZE



- Series 451 - 2" x 4½" (Non-thermal)
- Series IT451 - 2" x 4½" (Thermal)
- 1" Glazing infills
- Screw spline assembly
- Shear block assembly
- Stacking installation option
- Full range of accessory components
- Available in anodized or painted finishes

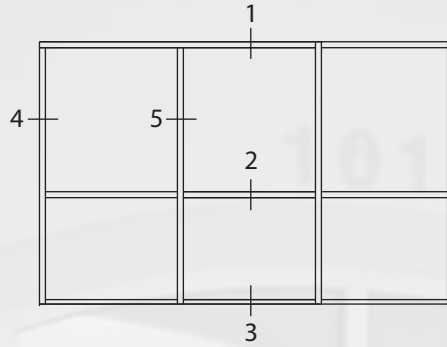


Series IT451 offers improved thermal performance using the Poly-Aluminizer™ and Struct-Link™ thermal break technology. Series 451 and IT451 may be interior or exterior glazed. A top load E.P.D.M. gasket is used to position and weatherseal the glass in the aluminum pocket. Center Glazed Systems are compatible with all United States Aluminum entrance doors.



WWW.USALUM.COM

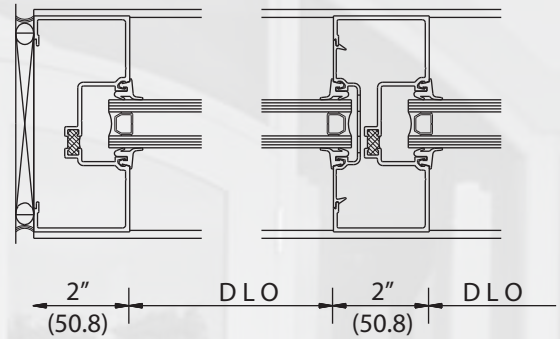
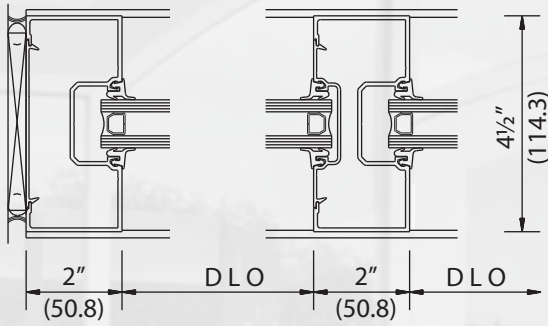
SERIES 451 AND IT451 TYPICAL DETAILS



Air:	< .06 CFM
Water:	10 PSF
Structural:	35 PSF
CRF:	61 - IT451 only
U Value:	.60 - IT451 only

Series 451

Series IT451

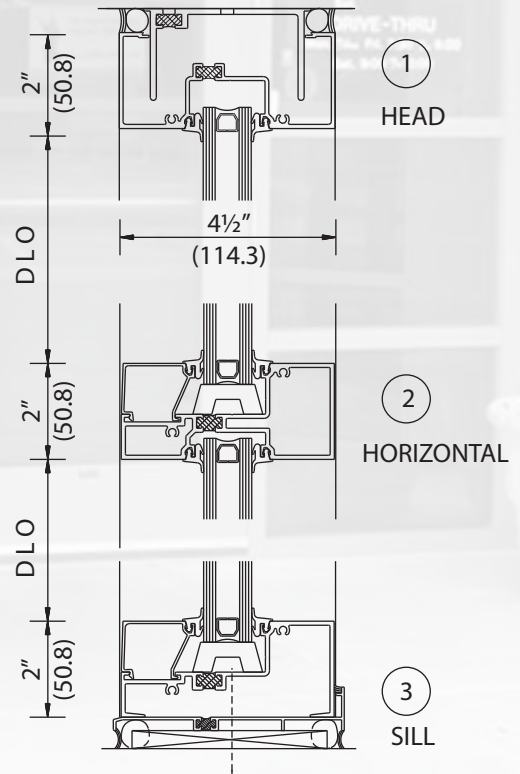
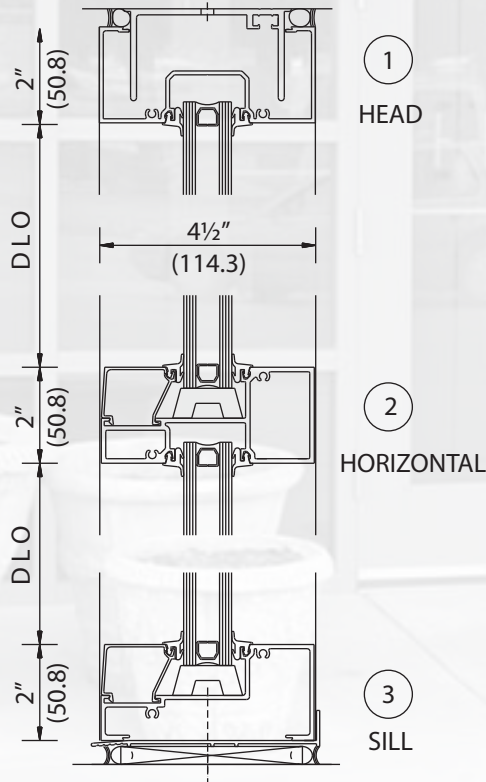


4
JAMB

5
VERTICAL

4
JAMB

5
VERTICAL



1
HEAD

2
HORIZONTAL

3
SILL

1
HEAD

2
HORIZONTAL

3
SILL

SCALE - 1/4" = 1"



California - 800.766.6063
Chicago - 800.323.8480
Texas - 800.627.6440

South Carolina - 800.462.5668
Canada BC - 888.889.3899
Canada Ont. - 800.796.6636