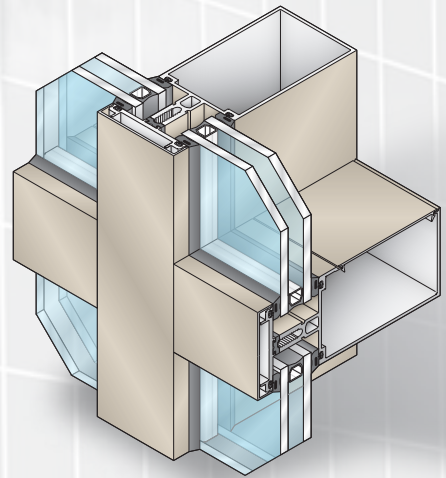


CURTAIN WALLS

SERIES 3250 CURTAIN WALL



- 2 1/2" Face dimension
- 1/4" and 1" glazing systems
- Multiple system depths
- Exterior glazed
- Thermally improved
- Pressure bar glazing
- No exposed fasteners



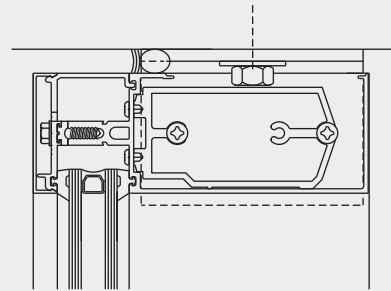
Strength, versatility and economics make the Series 3250 curtain wall an industry favorite for low to mid-rise applications where exterior glazing is desired. Complementing the efficiency of insulated glass, Series 3250 is thermally improved by a continuous thermal spacer interlocked within the pressure plates. Dual or two-tone colors can be achieved by specifying different finishes for the exterior face covers and interior mullions. Two piece horizontals and extruded shear blocks allow for a concealed horizontal to vertical joinery without exposed screws.

SERIES 3250 TYPICAL DETAILS



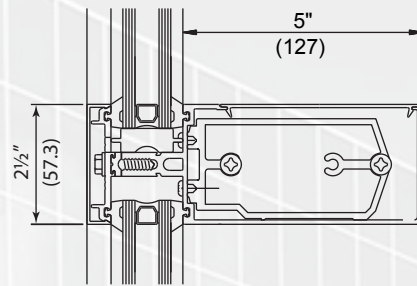
TYPICAL ELEVATION

4", 5" (shown) and 8" backmembers are available. 1/4" glazing is also available.



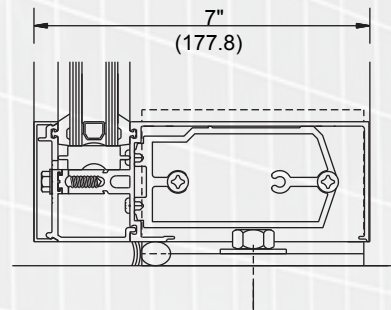
①

HEAD



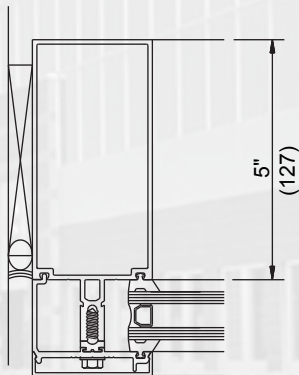
②

HORIZONTAL



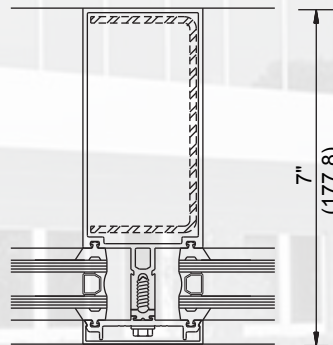
③

SILL



④

JAMB



⑤

VERTICAL

Air:	< .06 CFM
Water:	15 PSF
Structural:	25 PSF
CRF:	66
U Value:	.35

SCALE - 1/4" = 1"



California - 800.766.6063
 Chicago - 800.323.8480
 Texas - 800.627.6440

South Carolina - 800.462.5668
 Canada BC - 888.889.3899
 Canada Ont. - 800.796.6636