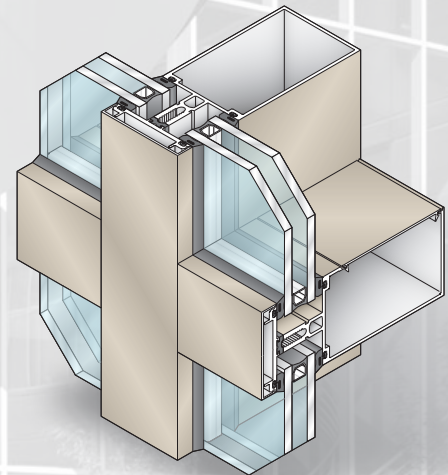


CURTAIN WALLS

SERIES 2200 CURTAIN WALL

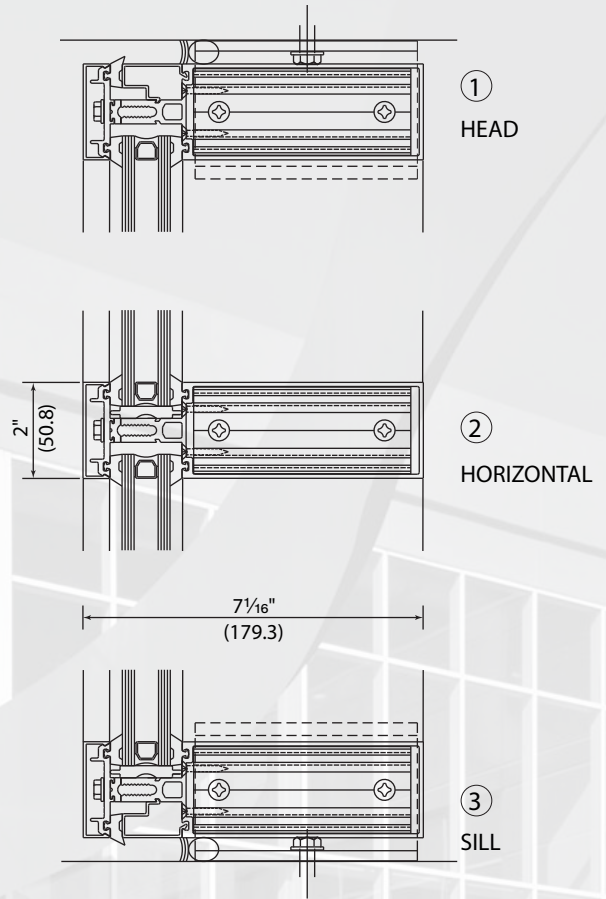
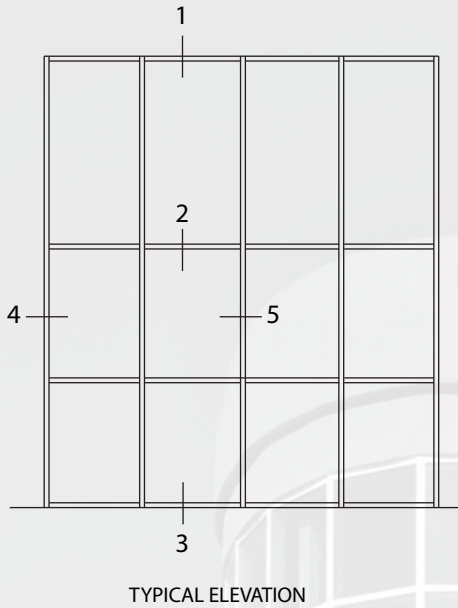


- 2" Face dimension
- 2⁷/₈", 4" & 5" Back member depth
- Exterior glazed
- Thermally improved
- Pressure bar type glazing
- No exposed fasteners
- Shear block assembly



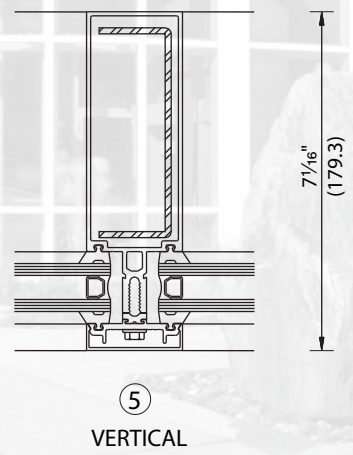
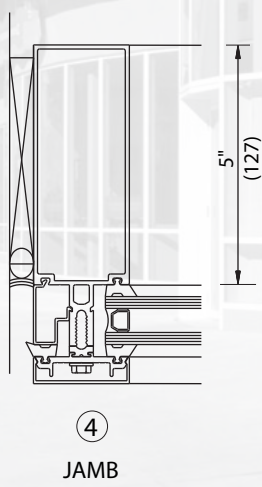
The Series 2200 curtain wall System offers a reduced sightline for low to mid-rise applications where exterior glazing is desired. Complementing the efficiency of insulated glass, Series 2200 is thermally improved by a continuous thermal spacer interlocked within the vertical and horizontal pressure plates. Dual colors can be achieved by specifying different finishes for the exterior face covers and interior mullions. A unique split vertical mullion for straight-in installation of each bay, special perimeter members for easy anchorage and the option to shop install is achieved with screw spline assembly.

SERIES 2200 TYPICAL DETAILS



Air:	< .06 CFM
Water:	15 PSF
Structural:	15 PSF
CRF:	64*
U Value:	.40*

*Contact US Aluminum representative for information about results when using other glass types



SCALE - 1/4" = 1"



California - 800.766.6063
 Chicago - 800.323.8480
 Texas - 800.627.6440

South Carolina - 800.462.5668
 Canada BC - 888.889.3899
 Canada Ont. - 800.796.6636